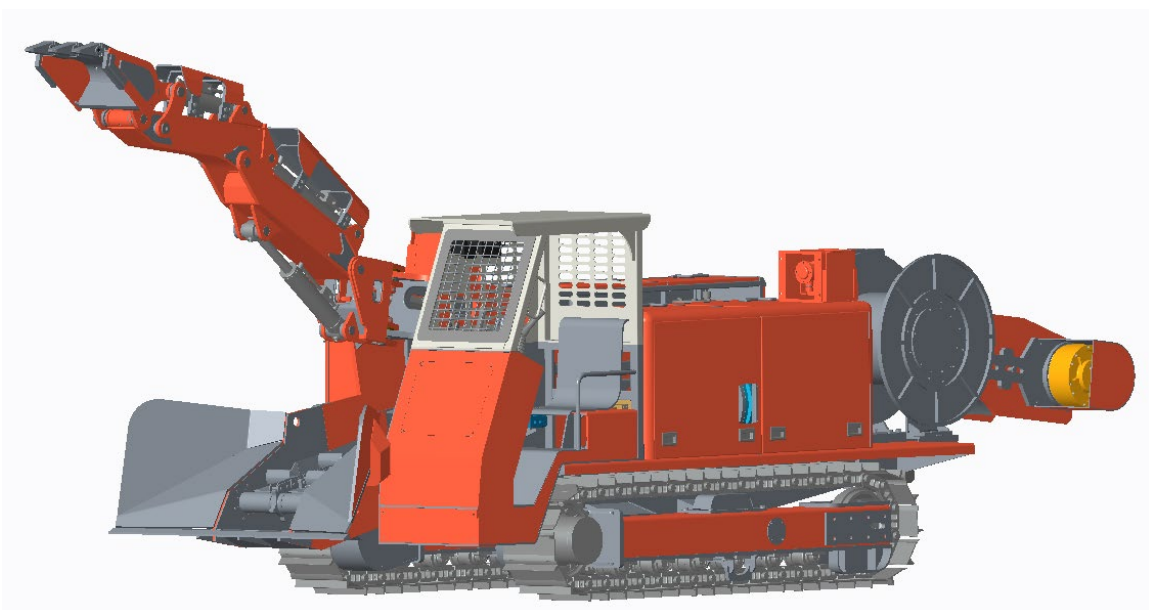
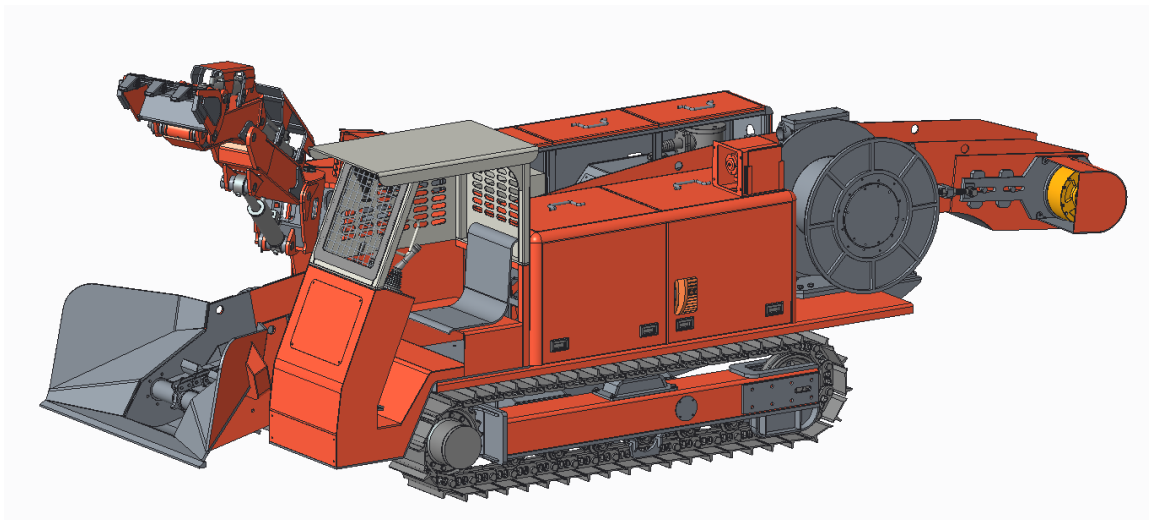
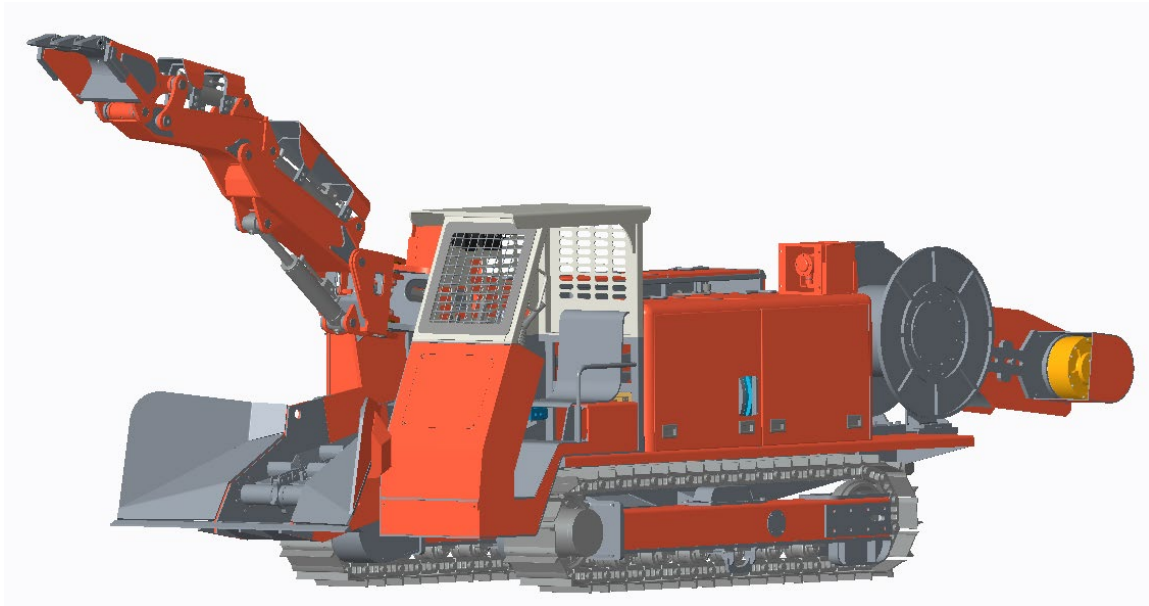


LWL-120 CRAWLER MUCKING LOADER (FLAME-PROOF)



NANCHANG KAMACH MINING CO., LTD.

Address: C202, #948 Torch Avenue, Nanchang, 330096, Jiangxi, 330096, China

Email: kamach@kamach.com Mobile: +86 13907098609

➤ SPECIFICATIONS

LWL-120/55 CRAWLER MUCKING LOADER	
Item	Specifications
Loading capacity	120 m³/h
Machine weight	13600 kgs
Min. turning radius	≥7 m
Excavating width	≥5900 mm
Excavating height	≥3350 mm
Excavating depth	≥800 mm
Excavating distance	≥2300 mm
Loading width	≥5900 mm
Discharge height	1750-2000
Unloading distance	≥3000 mm
Grade ability	30°
Max. slope	≤26°
Conveyor speed	33±2 m/min
Travelling speed	0.9±0.05 km/h
Ground clearance	≤350 mm
Crawler contact pressure	≤0.1 Mpa
Rated working pressure	20 Mpa
Check valve working pressure	21 Mpa
Conveyor board type	Dual chain dual drive
Noise	≤90 dB(A)
Electric motor power	55 kW
Voltage	1140 (660)V or 440(380)V 50Hz or 60Hz
Dimensions in transport	8750×1980×2350
Dimensions in working status	10200×5900×2680
Cooling method	Air cooled
Operating method	Hydraulic control

NANCHANG KAMACH MINING CO., LTD.

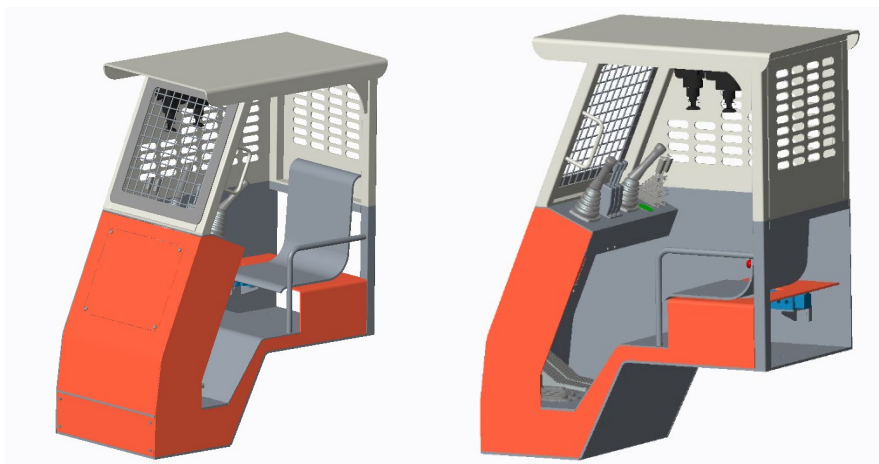
Address: C202, #948 Torch Avenue, Nanchang, 330096, Jiangxi, 330096, China

Email: kamach@kamach.com Mobile: +86 13907098609

LWL-120/55LX

S/N	Parts Name	Qty	Remark
1	Electric motor (flame-proof)	1	Siemens
2	Travelling motor	2	NINGBO LSH
3	Conveyor motor	1	NINGBO ZHONGYI
4	Footage pilot valve	1	NINGBO FLAG-UP
5	Manual pilot valve	2	
6	Manual direction valve	1	
7	Piston pump	1	ANHUI BOYI FLUIT
8	5-way direction valve	1	SICHUAN CHANGJIANG
9	3-way direction valve	1	
10	coolant motor	1	ANHUI CHUANGYUAN
11	Boom cylinder	1	JIANGSU HENGLI
12	Arm cylinder	1	
13	Excavating cylinder	1	
14	Rotating cylinder	1	
15	Conveyor lifting cylinder	1	
16	Three wheel and one crawler	2	KOMATSU
17	Coolant	1	GUIZHOU HENGYUAN

➤ SPECIALLY DESIGNED FOPS & ROPS STANDARD CAB.

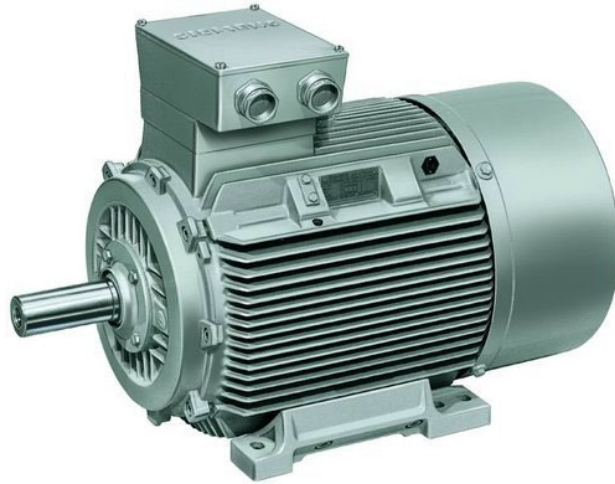


NANCHANG KAMACH MINING CO., LTD.


Address: C202, #948 Torch Avenue, Nanchang, 330096, Jiangxi, 330096, China

Email: kamach@kamach.com Mobile: +86 13907098609

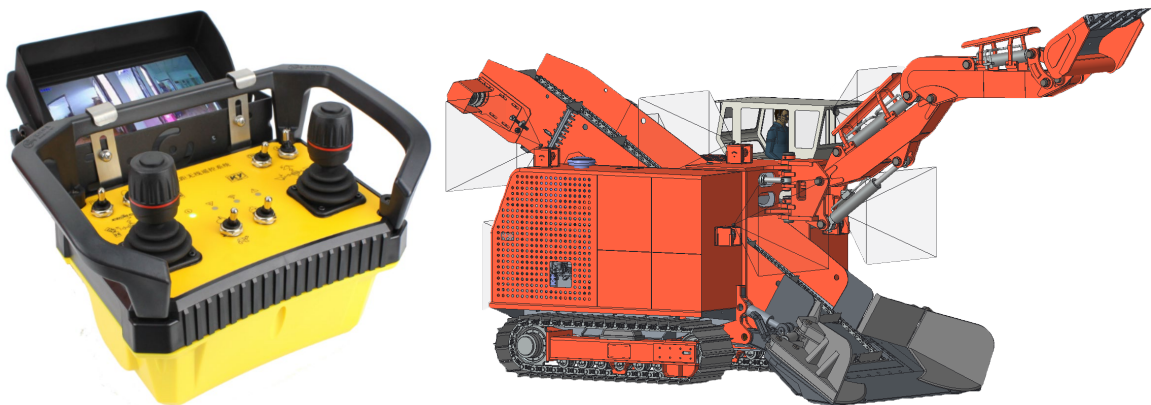
➤ ELECTRIC MOTOR-FLAME PROOF (37KW 440VAC 60HZ)



➤ ROCK HAMMER (OPTIONAL)

Picture	Item	HB06
	Total weight	150 kgs
	Length	1390 mm
	Width	328 mm
	Height	400 mm
	Operating pressure	110~140 kg/cm ²
	Hydraulic flow range	40~70 l/min
	Impact Frequency	500~900 bpm
	Diameter of hose	12.7 mm
	Diameter of tool	60 mm
	Weight of tool	18 kg

➤ REMOTE CONTROL & CAMERA (OPTIONAL)




NANCHANG KAMACH MINING CO., LTD.

Address: C202, #948 Torch Avenue, Nanchang, 330096, Jiangxi, 330096, China

Email: kamach@kamach.com Mobile: +86 13907098609

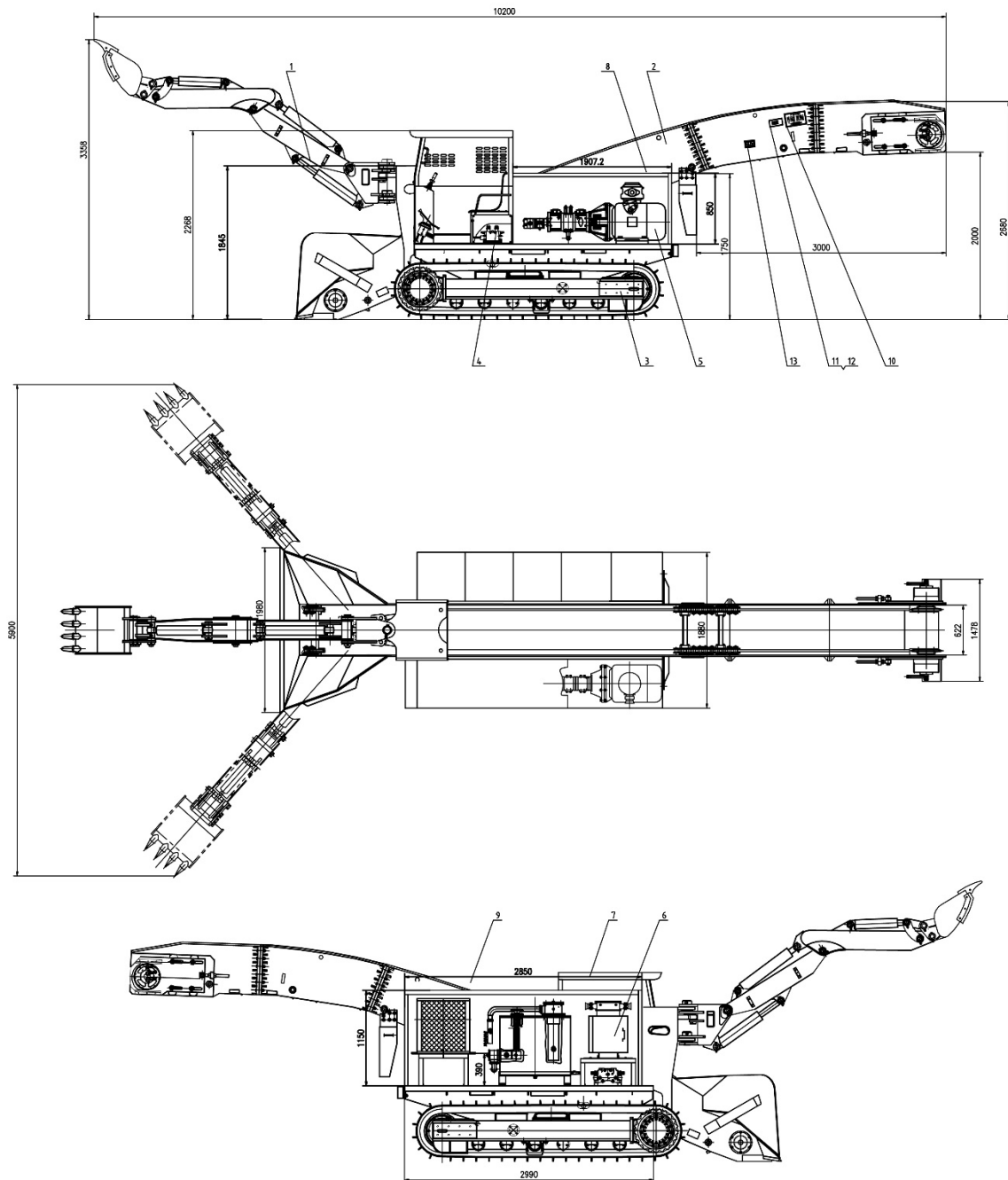
➤ ROAD HEADER (OPTIONAL)

	Gear Drive RockWheel	G5	G5 Twin
	Input Power - continuous	22 kW	44 Kw
	Operating Pressure, max	400 bar	
	Required Flow Rate	56-95 GPM (l/min)	76-170 GPM (l/min)
	Gearbox Ratio	2 i	
	Cutting Drum Speed	70-120 rpm	50-107 rpm
	Max Cutting Head Torque	5.1 KNm	10.1 KNm
	Max Cutting Force	29.8 kN	59.6 kN

➤ SPARE PARTS WITH DELIVERY

S/N	PRODUCT NAME	SPECIFICATIONS	UNIT	QNTY	REMARK
1	Open end wrench	S41/46 S32/36 S22/24 S19/17	set	1 for each	
		S13/16 S8/10 S12/14 S27/30			
2	Internal hex wrench	S4 S5 S6 S8 S10 S12 S14 S17 S19	set	1 for each	
3	Grease gun		set	1	
4	Pressure gauge and hoses		set	1	
5	O-ring seal	Φ11 Φ20 Φ30 Φ40 Φ50	pc	10 for each	
6	Excavator teeth		pc	3	
7	Excavator teeth pin locker		pc	3	
8	LED lamp		pc	1	
9	High pressure hose	boom,excavating arm,digging,return,travelling	pc	1 for each	
10	Conveyor board chain set		set	1	
11	Driven wheel		pc	1	
12	Chain pin		pc	4	

➤ DIMENSIONS



➤ SERVICES

- ✓ Local parts stock
- ✓ Response given within 48 working hours
- ✓ Urgent parts sent by FedEx or DHL at supplier cost.

NANCHANG KAMACH MINING CO., LTD.

Address: C202, #948 Torch Avenue, Nanchang, 330096, Jiangxi, 330096, China

Email: kamach@kamach.com Mobile: +86 13907098609