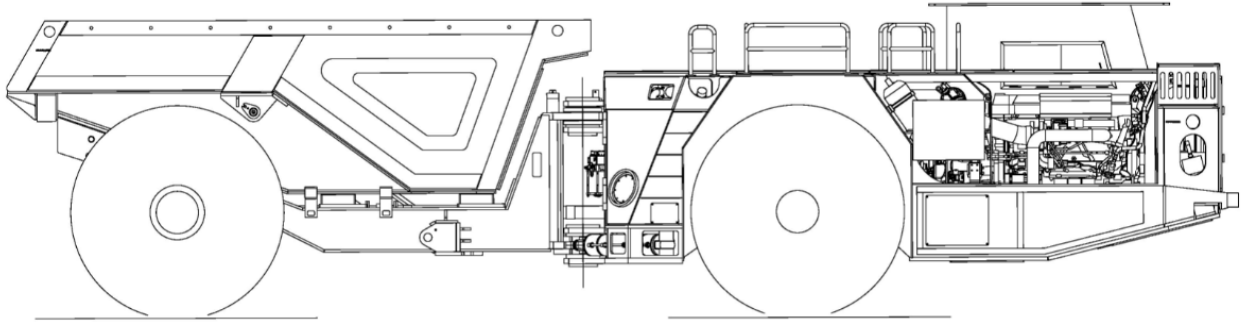


UK-65 UNDERGROUND DUMPER TRUCK



Main features

- USA power shift transmission and converter
- Integrated service brake, parking brake, and emergency brake; Safety spring brake and hydraulic release system.
- Integrated steering and working hydraulic system can highly improve the working efficiency
- Central articulated system, with two cylinder support steering, make the machine much more stable;
- Two cylinder lifting the wagon box.
- Backboard for protect the rocks from falling off when travelling;
- Forward seating
- Protections for hoses and engine compartment for extremely cold area in winter time.

Main parameter

Model	UK-65	
L*W*H	11850mm×3850mm×3800	
Wagon box volume	27~33.5 m ³ or designed to rock density	
Rated loading capacity	65 Metric Ton	
Tare weight	65 000 Kgs	
Engine power	784.5 HP	
Maximum Torque output	3680 Nm @ 1 200 rpm	
Travelling speed	0~30.8 km/h	
Maximum steering angle	±40°	
Turning radius (mm)	Internal	5 300
	External	10 000

Wagon box lifting/descend (s)	14/10
Wagon box tilting height (mm)	7500
Wagon box off load angle	62°
Grade ability	14°
Tires	35/65, R33

Main components and supplier:

➤ **Engine:**

Manufacturer: VOLVO PENTA

Model: TWD1683VE

Power: 585 KW/19 00rpm

Maximum torque: 3680 Nm @ 1 200 rpm

Emission standard: EU Tire 4

➤ **Axle:**

Manufacturer: Kessler

Model: D111 for front and rear axles

Brakes: SAHR on four wheels, spring brake hydraulic release

Type: Enclosed wet multiple discs brake

➤ **Transmission:**

Manufacturer: Allison

Model: 6625

➤ **Hydraulic system:**

Main pump: Parker

Braking valve: MICO

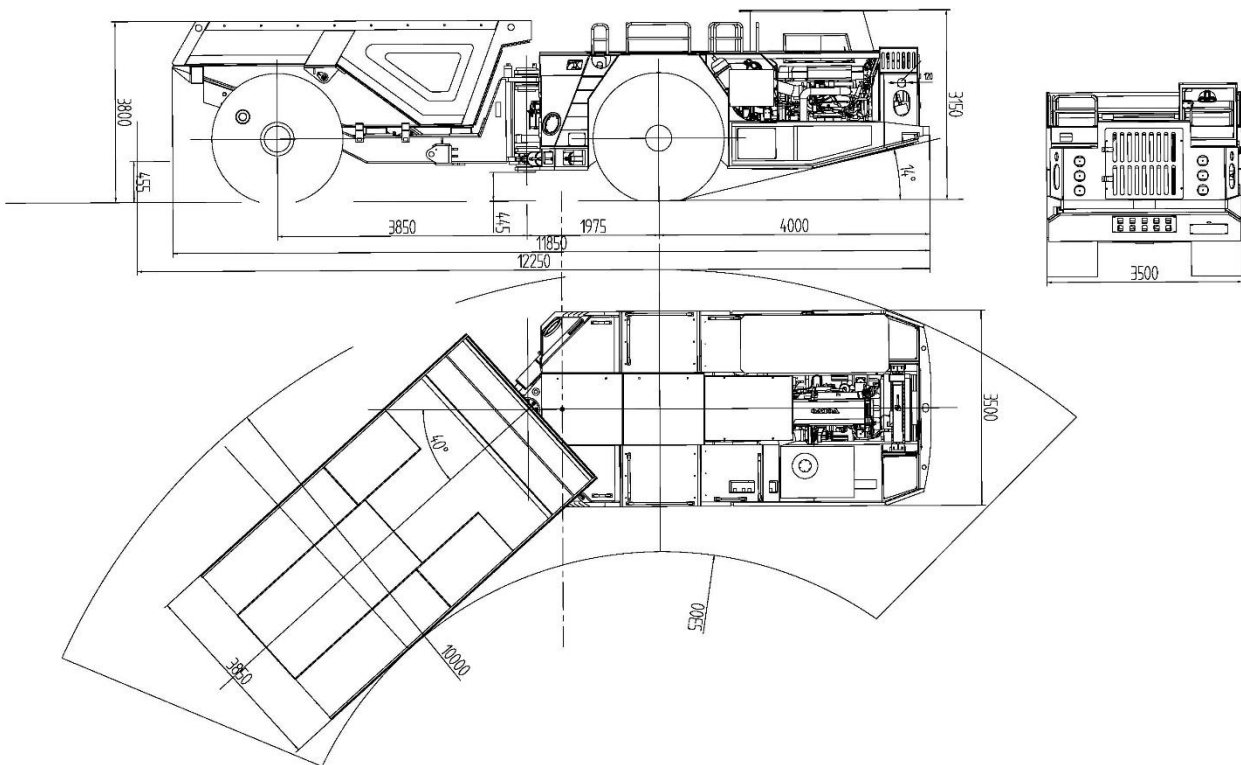
➤ **Electric system: 24V DC**

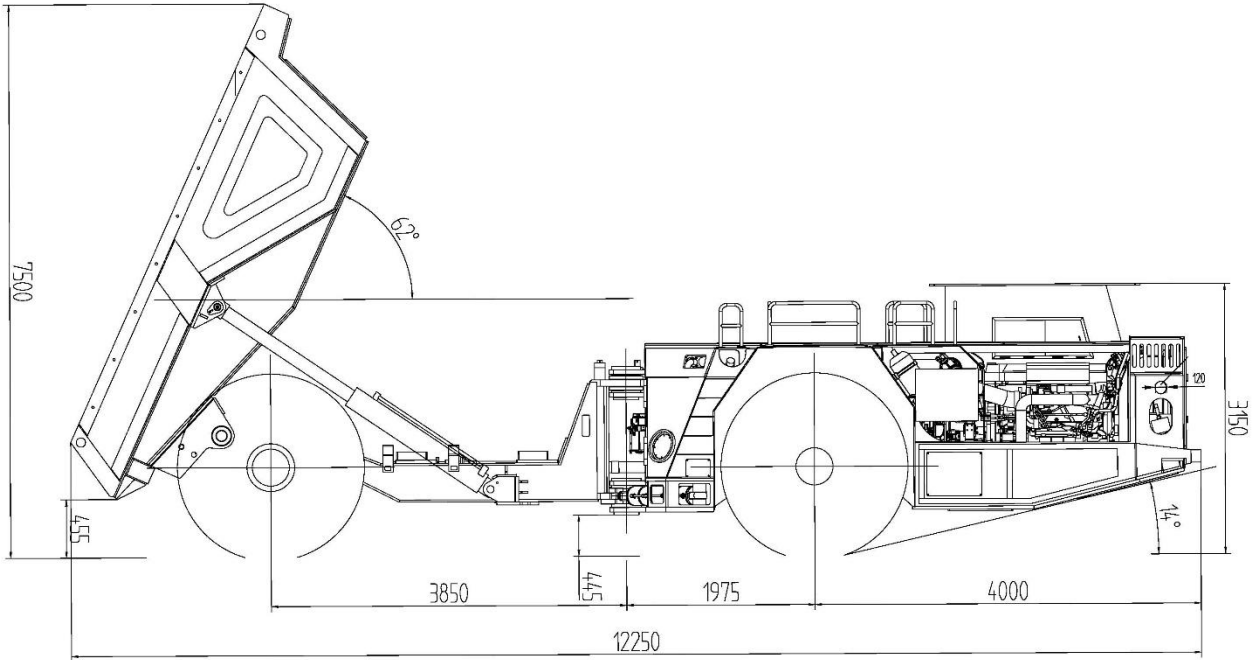
Options:

1. Sealed cabin with air-conditioner and heating system, with Video and USB port for amusement;
Ergonomically and spacious designed compartment for safety and easy operations;

- 3 POP-UP window for easy access when facing emergencies;
 - Rain scraper for front window
 - Protection for front window from falling rocks;
 - FOPS and ROPS standard
2. Travelling aid system with camera and record of operation for one month;
 3. Automatic and manual fire suppression system for engine compartment;
 4. Automatic central lubrication system

Dimensions





Please consult our local dealers for services, you can also contact us directly any time to make consultancy!